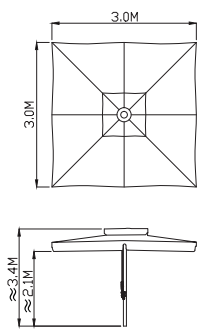
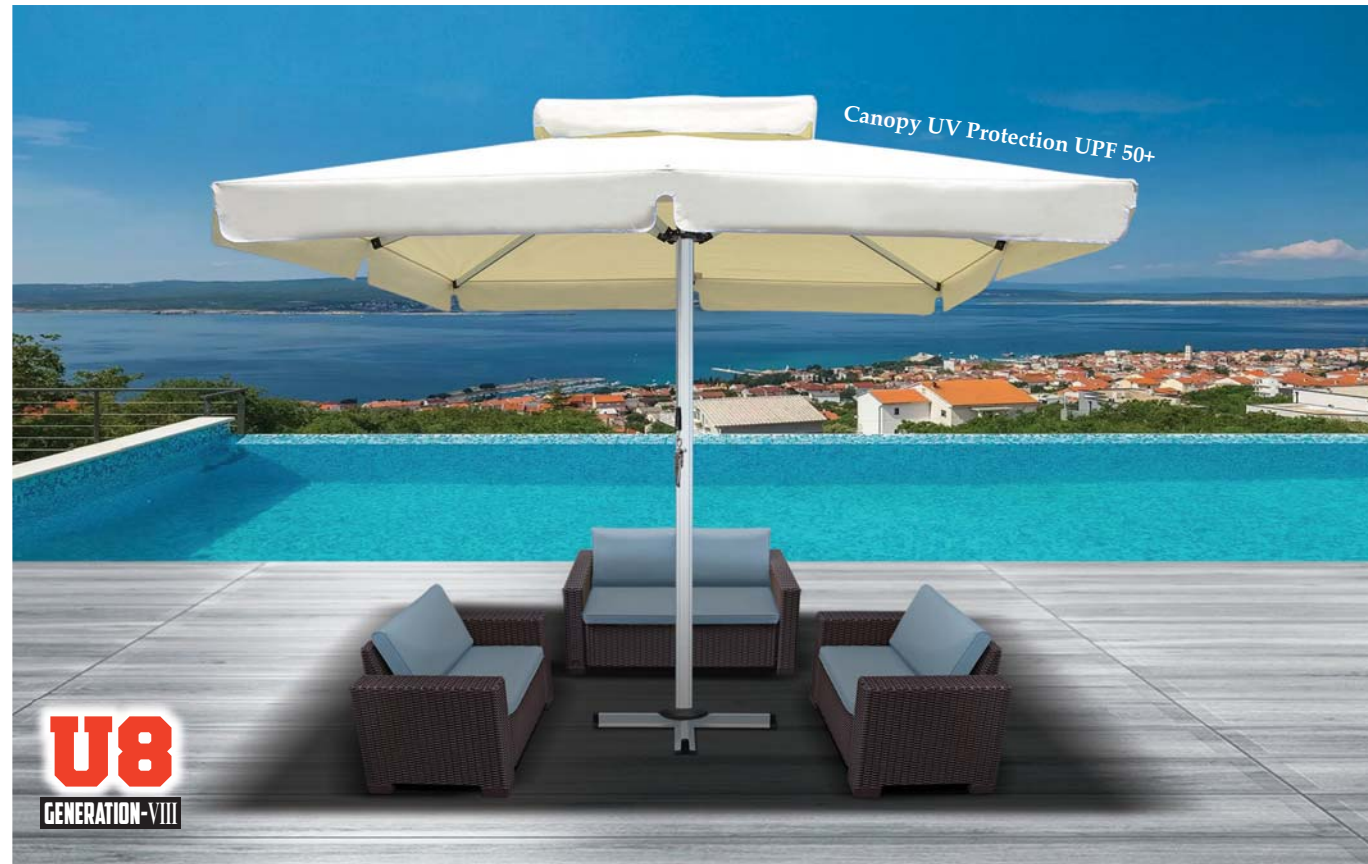


HEAVYDUTY

Commercial umbrella

U8-303F-2 ☒ Square 10' x 10' (3 x 3m)



Handle Mechanism



U8-303F-2
 □ 3X3M
 = 9.0M²
 ≈ 23KG
 ≈ 27KG
 95KM/H

Special Features



ALUMINIUM FRAME
 DURABLE & STRENGTH

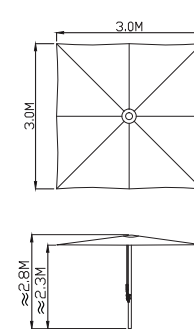


Optional Features

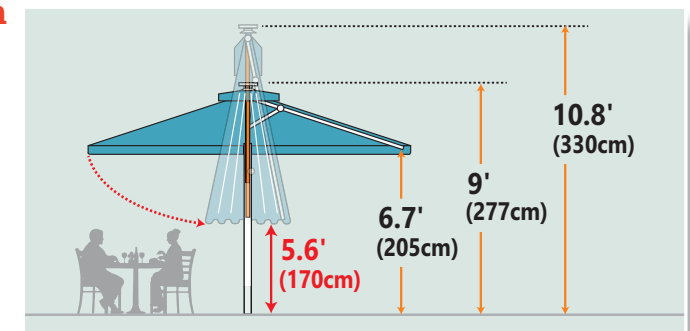
HEAVYDUTY

Commercial umbrella

U8-250X ☒ Square 8' x 8' (2.5 x 2.5m)
U8-270X ☒ Square 9' x 9' (2.7 x 2.7m)
U8-303 ☒ Square 10' x 10' (3 x 3m)



Handle Mechanism



Free Seating No need to remove seating or tables beforehand

U8-303
 □ 3X3M
 = 9M²
 ≈ 21KG
 ≈ 24KG
 90KM/H

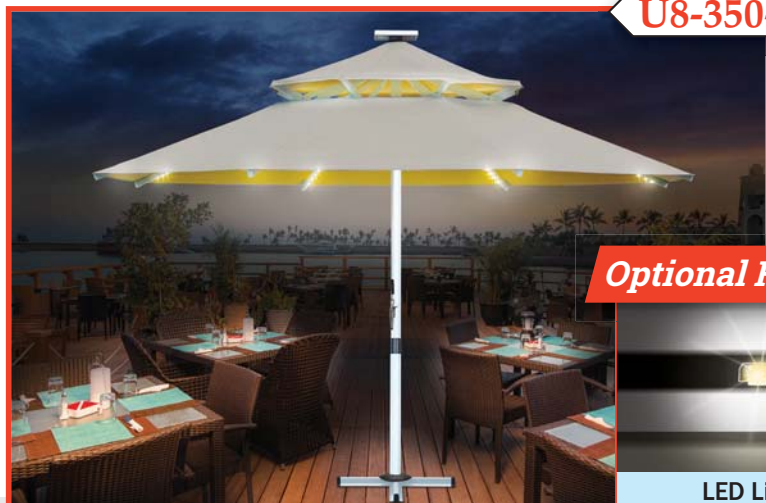
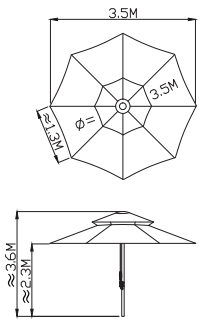


ALUMINIUM FRAME
 DURABLE & STRENGTH

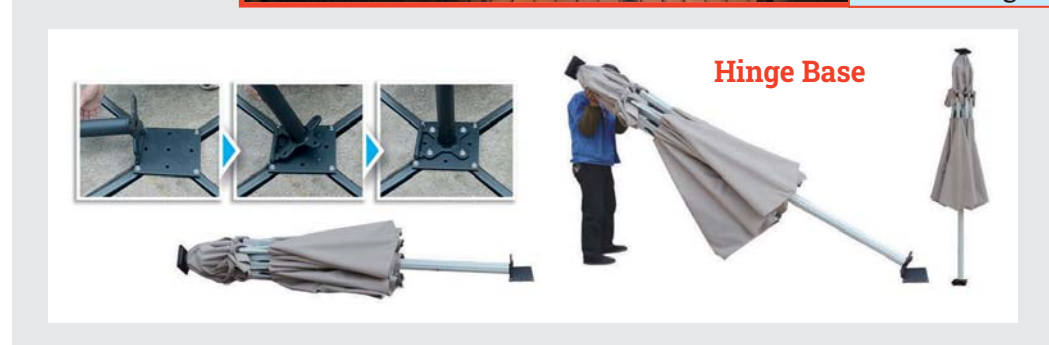




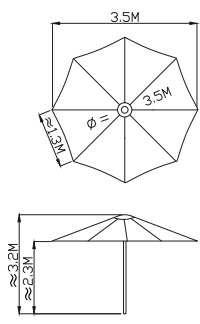
Handle Mechanism



U8-350-2
Ø3.5M
= 9.6M²
≈ 25KG
≈ 29KG
95KM/H

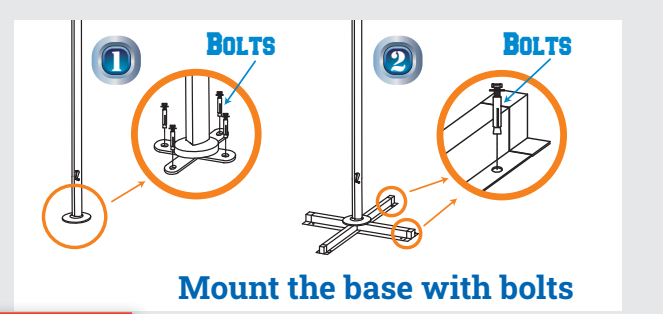


Handle Mechanism



Wind Resistant
Up To 100 KPH!

U8-350
Ø3.5M
= 9.6M²
≈ 24KG
≈ 28KG
90KM/H



Optional Features

